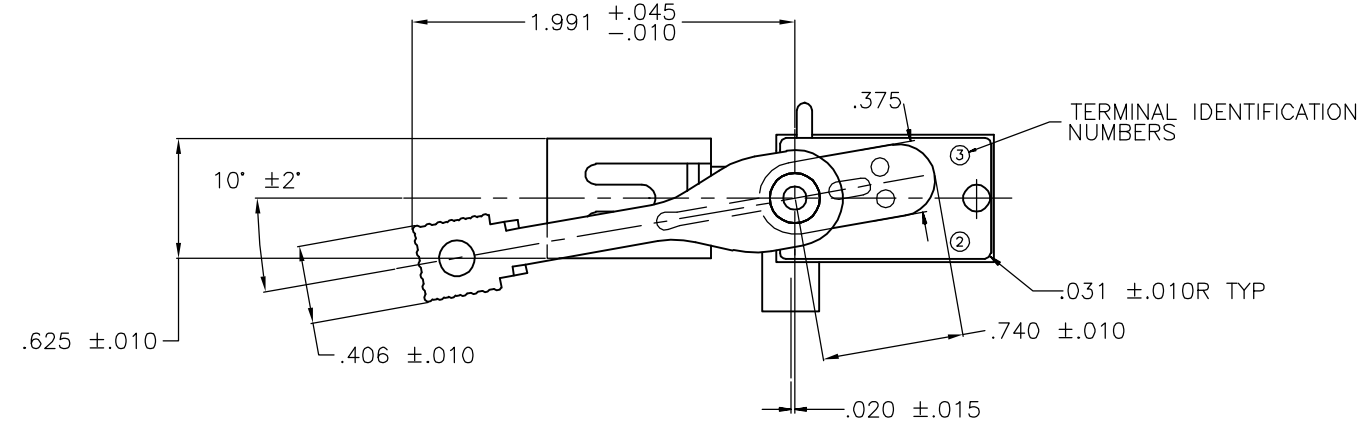
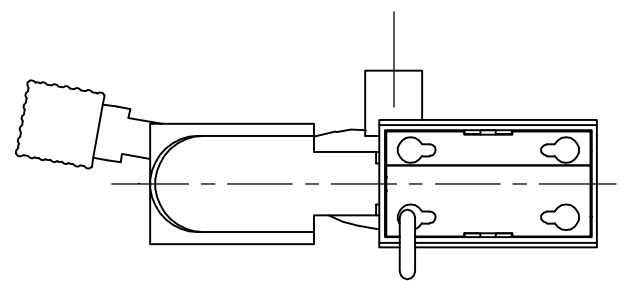
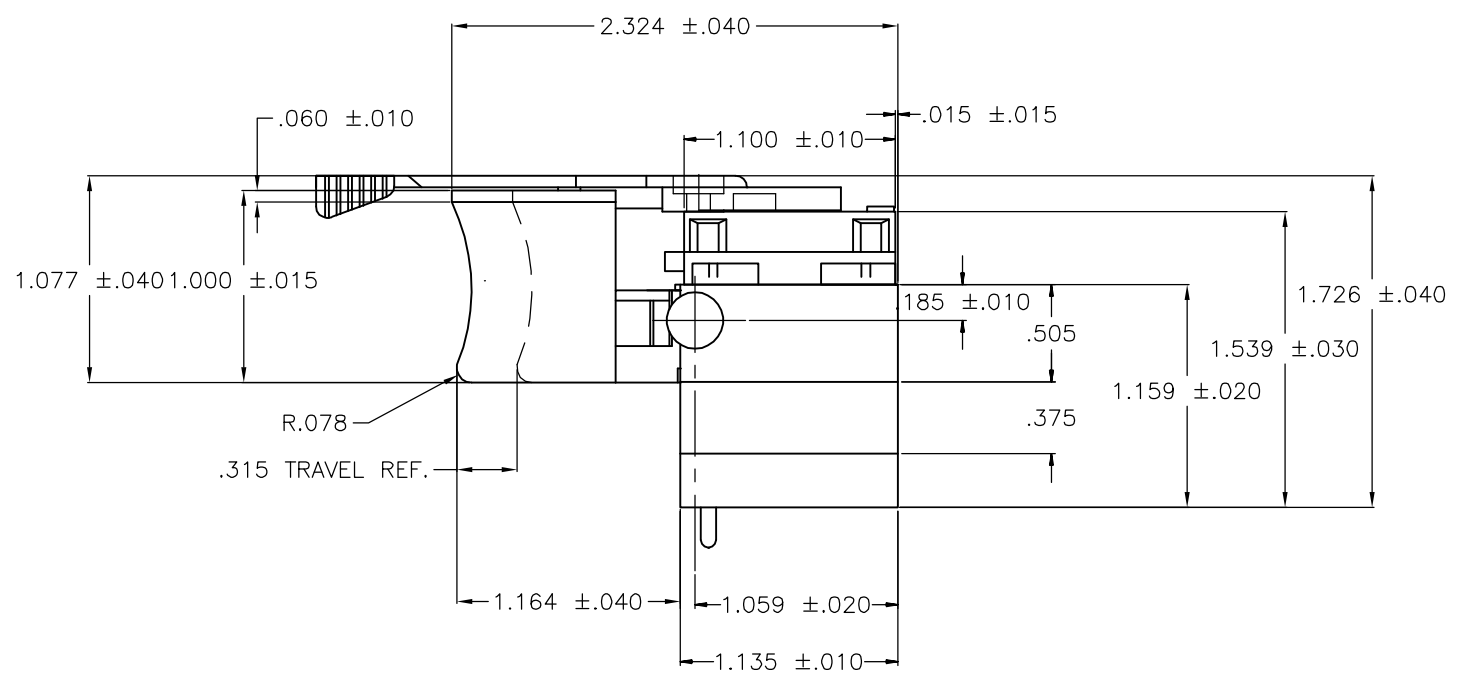
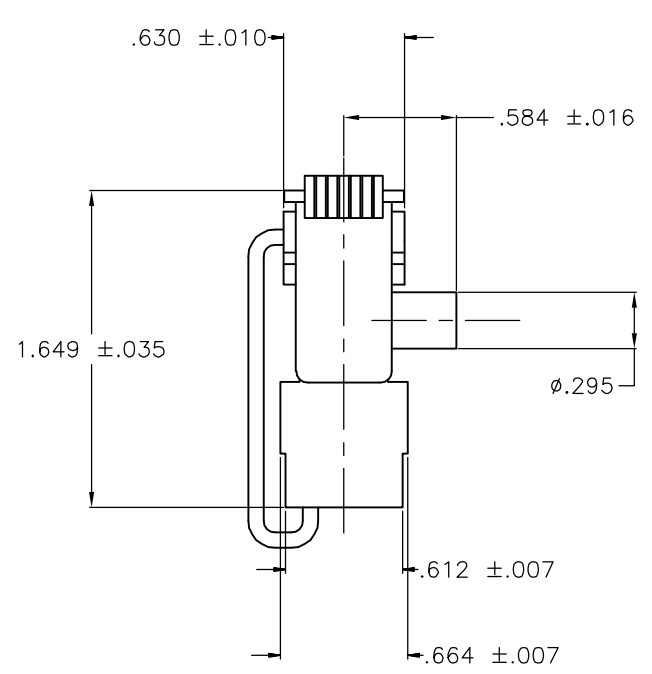


THIS DRAWING IS UNPUBLISHED. RELEASED FOR PUBLICATION  
 © COPYRIGHT BY TYCO ELECTRONICS CORPORATION. ALL RIGHTS RESERVED.

LOC	DIST	REVISIONS					
AD	00	P	LTR	DESCRIPTION	DATE	DWN	APVD
			B	REVISED PER EC-0G3G-0005-05	27NOV06	GS	MG



- PUSH-IN AND REVERSING SWITCH TERMINAL OPENINGS TO RECEIVE #18 OR #20 GA. STRANDED TINNED LEADS. PUSH-IN TERMINAL WIRE STRIPPED LENGTH TO BE .250 - .400. REVERSING SWITCH STRIPPED LENGTH TO BE .188 - .250.



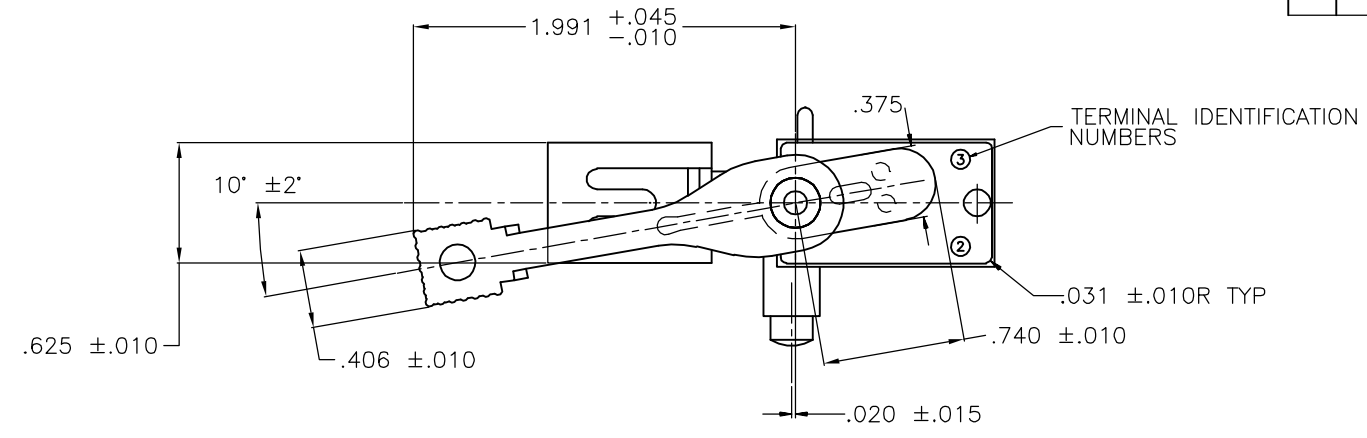
91-867

THIS DRAWING IS A CONTROLLED DOCUMENT.		DWN C. DOBBS 14APR98	Tyco Electronics Corporation Harrisburg, Pa 17105-3608	
DIMENSIONS: INCHES		CHK W. Leonard 14APR98		
TOLERANCES UNLESS OTHERWISE SPECIFIED:		APVD J. HENDERSON 15APR98	NAME 8907 SERIES - INLINE SWITCH WITH DUMMY BUSHING 6A 125VAC DOUBLE POLE SINGLE THROW Z-SPRING / D-PAK CONSTRUCTION	
0 PLC ± - 1 PLC ± - 2 PLC ± - 3 PLC ± .005 4 PLC ± - ANGLES ± 1'		PRODUCT SPEC -	SIZE A3	
MATERIAL -		FINISH -	CAGE CODE 00779	DRAWING NO C-1520076
CUSTOMER DRAWING			RESTRICTED TO -	SCALE 1:1
			SHEET 1	OF 10
			REV B	

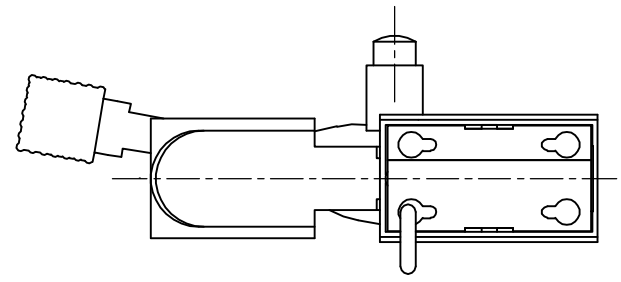
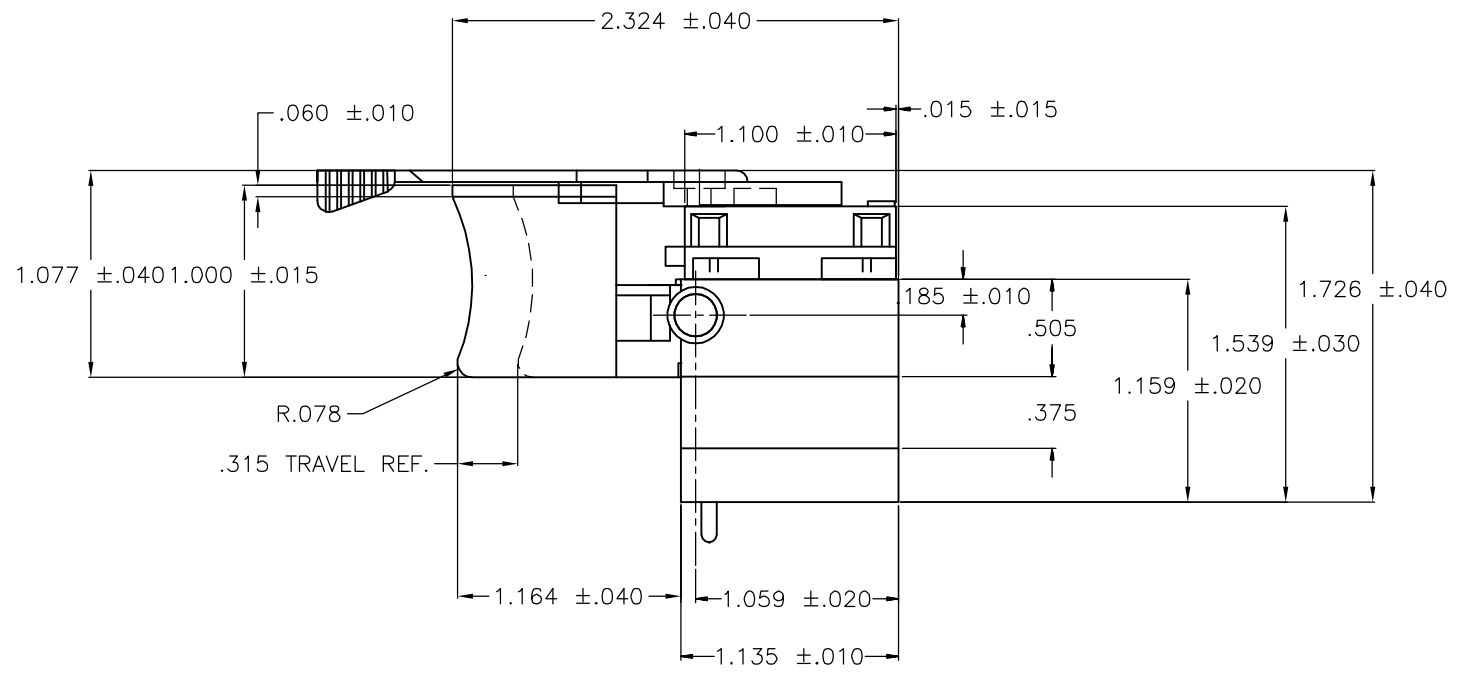
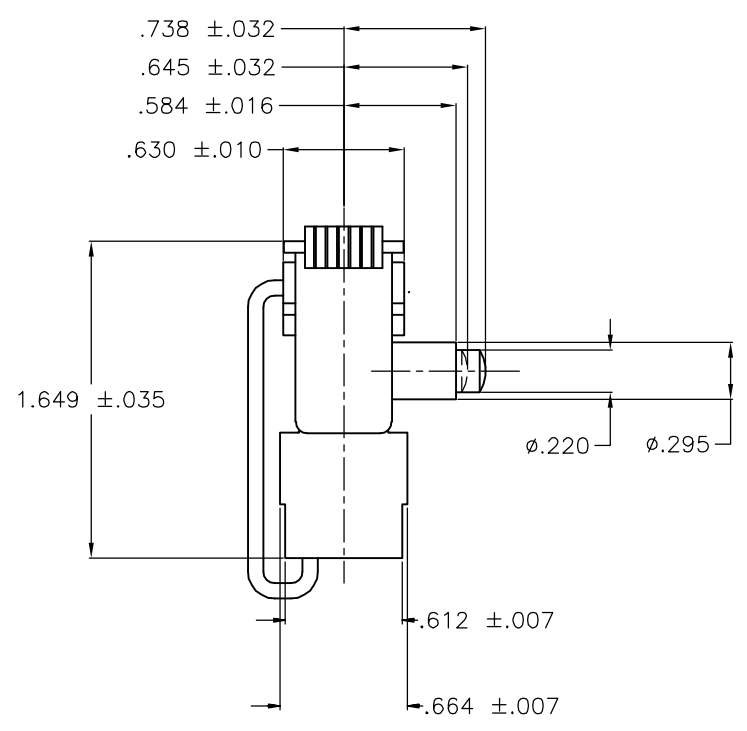
1520076-1	8907K255	BLACK	BLACK
TYCO NO.	ARAB NO.	TRIGGER COLOR	REVERSING LEVER COLOR

THIS DRAWING IS UNPUBLISHED. RELEASED FOR PUBLICATION  
 © COPYRIGHT BY TYCO ELECTRONICS CORPORATION. ALL RIGHTS RESERVED.

LOC	DIST	REVISIONS					
AD	00	P	LTR	DESCRIPTION	DATE	DWN	APVD
				SEE SHEET 1			



- PUSH-IN AND REVERSING SWITCH TERMINAL OPENINGS TO RECEIVE #18 OR #20 GA. STRANDED TINNED LEADS. PUSH-IN TERMINAL WIRE STRIPPED LENGTH TO BE .250 - .400. REVERSING SWITCH STRIPPED LENGTH TO BE .188 - .250.



91-869

THIS DRAWING IS A CONTROLLED DOCUMENT.		DWN	C. DOBBS	14APR98	 Tyco Electronics Corporation Harrisburg, Pa 17105-3608
DIMENSIONS: INCHES		CHK	W. Leonard	14APR98	
		APVD	J. HENDERSON	15APR98	
TOLERANCES UNLESS OTHERWISE SPECIFIED:		NAME		8907 SERIES - INLINE SWITCH	
0 PLC ± -		PRODUCT SPEC		6A 125 VAC DOUBLE POLE SINGLE THROW	
1 PLC ± -		APPLICATION SPEC		Z-SPRING / D-PAK CONSTRUCTION	
2 PLC ± -		SIZE	A3	CAGE CODE	00779
3 PLC ± .005		DRAWING NO	C-1520076		RESTRICTED TO
4 PLC ± -		WEIGHT	-		-
ANGLES ± 1'		CUSTOMER DRAWING			
FINISH		SCALE 1:1 SHEET 2 OF 10 REV B			

1520076-2	8907K256	BLACK	BLACK	BLACK
TYCO NO.	ARAB NO.	TRIGGER COLOR	REVERSING LEVER COLOR	LOCK PIN COLOR

4

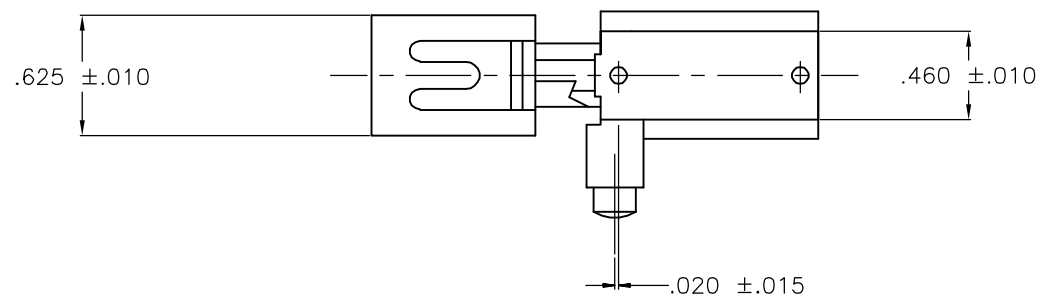
3

2

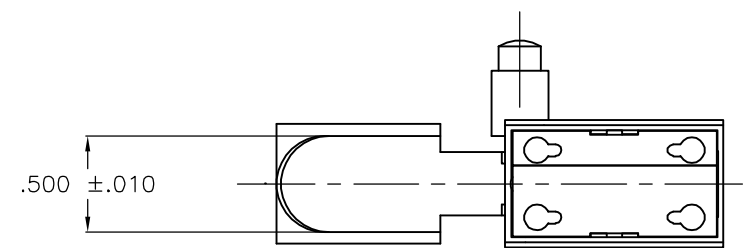
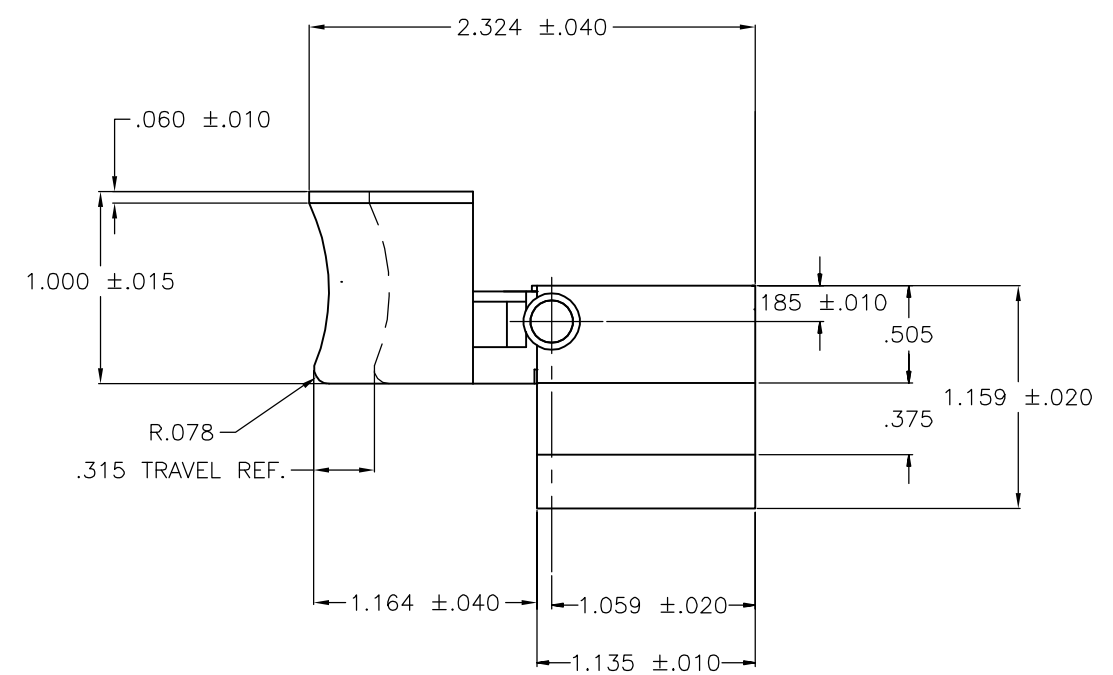
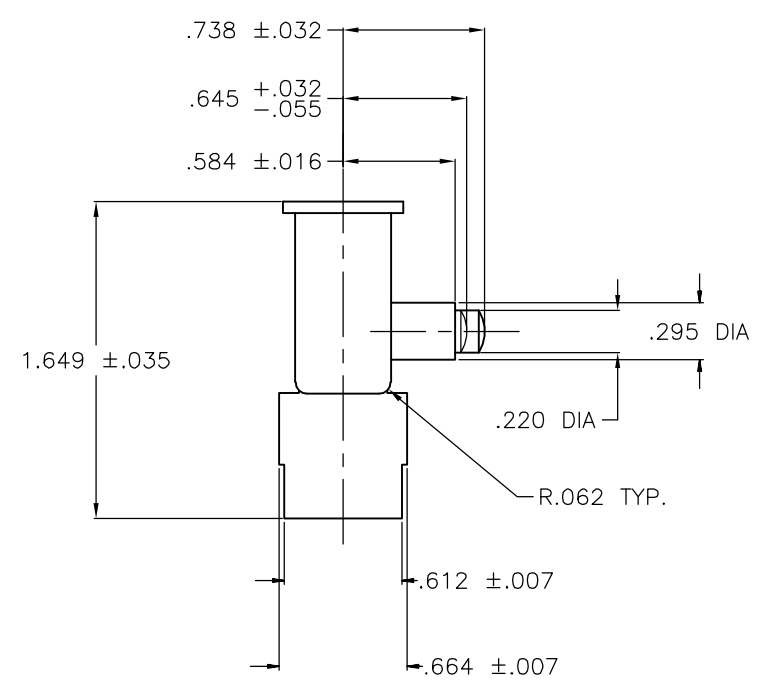
1

THIS DRAWING IS UNPUBLISHED. RELEASED FOR PUBLICATION  
 © COPYRIGHT - BY TYCO ELECTRONICS CORPORATION. ALL RIGHTS RESERVED.

LOC	DIST	REVISIONS					
AD	00	P	LTR	DESCRIPTION	DATE	DWN	APVD
		-		SEE SHEET 1	-	-	-



1. PUSH-IN OPENINGS TO RECEIVE #18 OR #20 GA. STRANDED TINNED LEADS. PUSH-IN TERMINAL WIRE STRIPPED LENGTH TO BE .250 - .400.



91-867

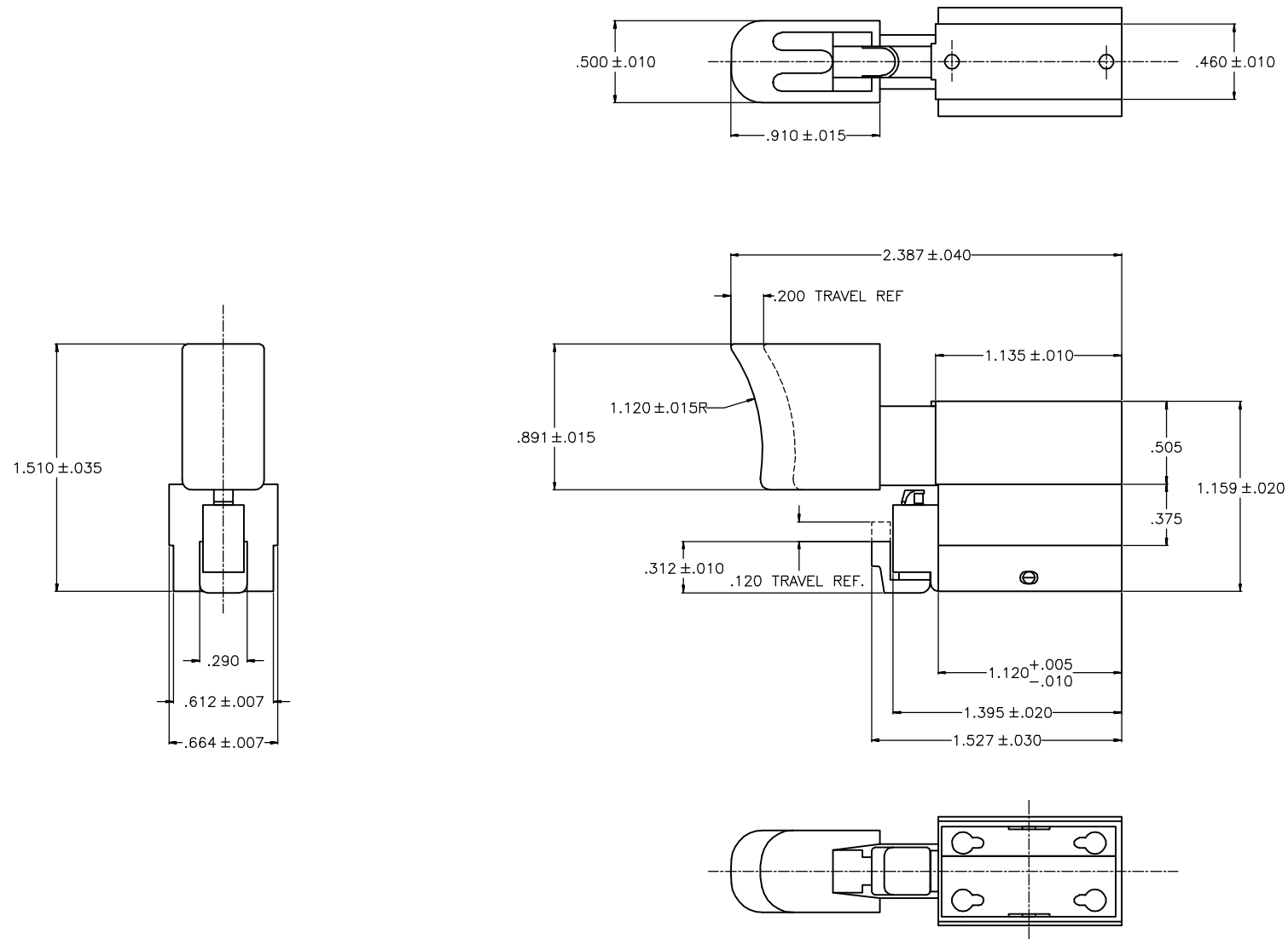
THIS DRAWING IS A CONTROLLED DOCUMENT.		DWN	C. DOBBS	14APR98		Tyco Electronics Corporation	
DIMENSIONS: INCHES		CHK	W. LeonarD	14APR98		Harrisburg, Pa 17105-3608	
		APVD	J. HENDERSON	15APR98		NAME	
TOLERANCES UNLESS OTHERWISE SPECIFIED:		PRODUCT SPEC		8907 SERIES - INLINE SWITCH WITH DUMMY BUSHING			
0 PLC ± -		APPLICATION SPEC		6A 125VAC DOUBLE POLE SINGLE THROW			
1 PLC ± -		WEIGHT		Z-SPRING / D-PAK CONSTRUCTION			
2 PLC ± -		SIZE		CAGE CODE	DRAWING NO	RESTRICTED TO	
3 PLC ± .005		CUSTOMER DRAWING		A3	00779	C-1520076	-
4 PLC ± -		SCALE		1:1		SHEET 3 OF 10	
ANGLES ± 1'		REV		B			
FINISH		REV		B			

1520076-3	8907K257	BLACK	BLACK
TYCO NO.	ARAB NO.	TRIGGER COLOR	LOCK PIN COLOR

THIS DRAWING IS UNPUBLISHED. RELEASED FOR PUBLICATION  
 © COPYRIGHT - BY TYCO ELECTRONICS CORPORATION. ALL RIGHTS RESERVED.

LOC	DIST	REVISIONS					
AD	00	P	LTR	DESCRIPTION	DATE	DWN	APVD
		-		SEE SHEET 1	-	-	-

- PUSH-IN AND REVERSING SWITCH TERMINAL OPENINGS TO RECEIVE #18 OR #20 GA. STRANDED TINNED LEADS. PUSH-IN TERMINAL WIRE STRIPPED LENGTH TO BE .250 - .400.



91-767

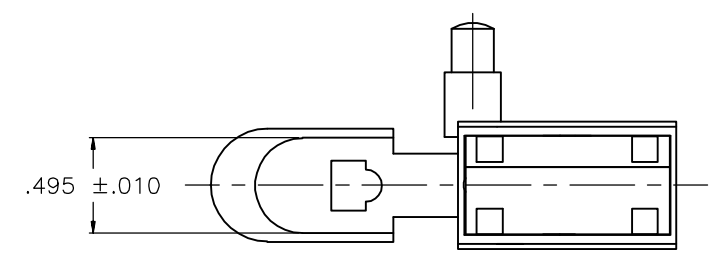
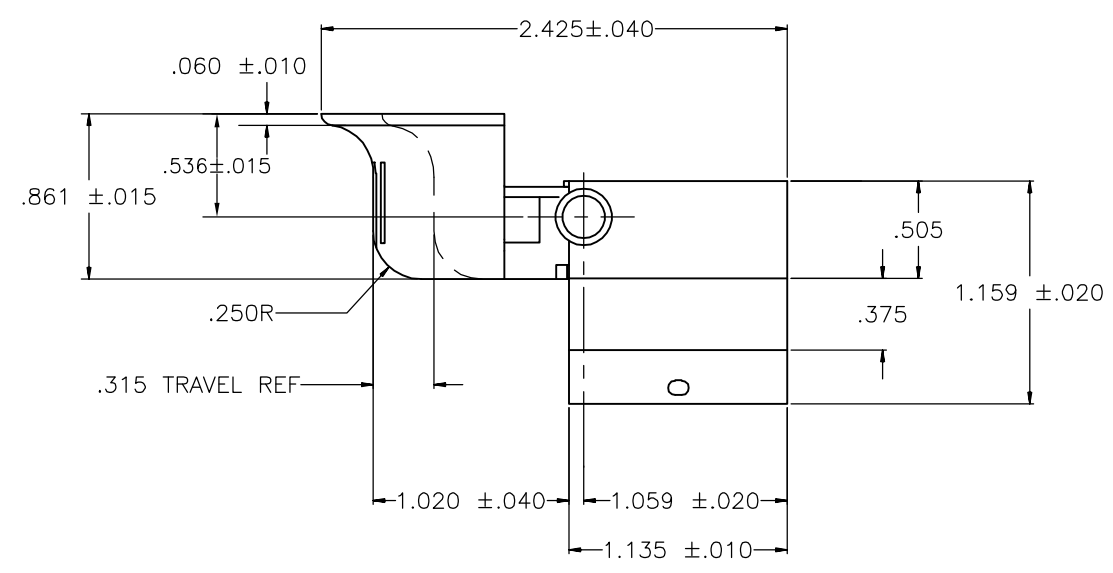
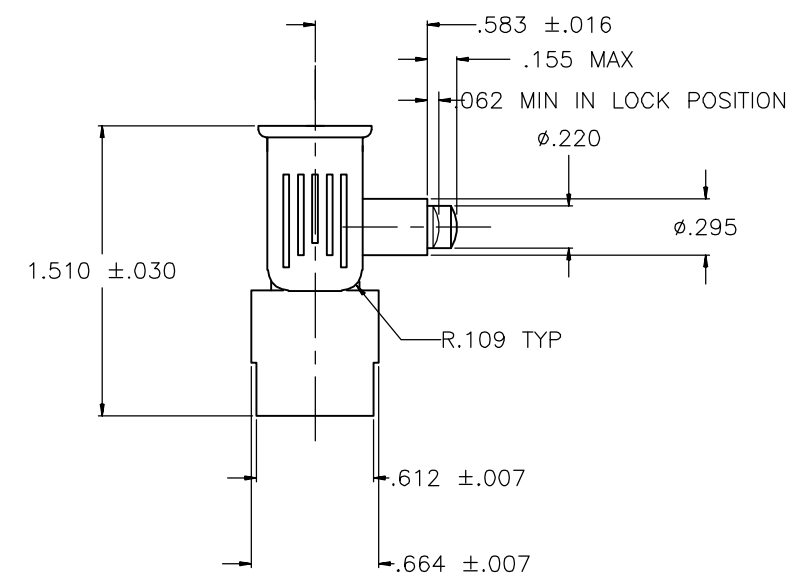
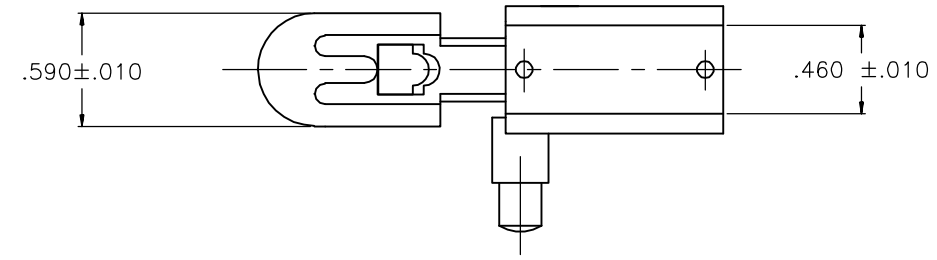
THIS DRAWING IS A CONTROLLED DOCUMENT.		DWN	W. HANSON	13NOV96	<b>tyco</b> <b>Electronics</b>	Tyco Electronics Corporation	
DIMENSIONS: INCHES		CHK	W. Leonard	15NOV96		Harrisburg, Pa 17105-3608	
TOLERANCES UNLESS OTHERWISE SPECIFIED:		APVD	M.R. DUMMER	15NOV96	NAME		8907 SERIES - INLINE SWITCH, 6A 125 VAC / 3A 250 VAC SPST WITH BUSSING SPEED CONTROL WITH Z-SPRING CONSTRUCTION
0 PLC ± -		PRODUCT SPEC		APPLICATION SPEC			
1 PLC ± -		WEIGHT		SIZE		CAGE CODE	DRAWING NO
2 PLC ± -		CUSTOMER DRAWING		A3		00779	C-1520076
3 PLC ± .005		SCALE		1:1		SHEET 4 OF 10	
4 PLC ± -		RESTRICTED TO		-		REV B	
ANGLES ± 1'		FINISH		-			
MATERIAL		-					

1520076-4	8907K260	RED	BLACK
TYCO NO.	ARAB NO.	TRIGGER COLOR	LOCK PIN COLOR

THIS DRAWING IS UNPUBLISHED. RELEASED FOR PUBLICATION  
 © COPYRIGHT - BY TYCO ELECTRONICS CORPORATION. ALL RIGHTS RESERVED.

LOC	DIST	REVISIONS					
AD	00	P	LTR	DESCRIPTION	DATE	DWN	APVD
		-		SEE SHEET 1	-	-	-

1. PUSH-IN TERMINAL OPENINGS TO RECEIVE #18 OR #20 GA. STRANDED TINNED LEADS. PUSH-IN TERMINAL WIRE STRIPPED LENGTH TO BE .250 - .400.



90-11436

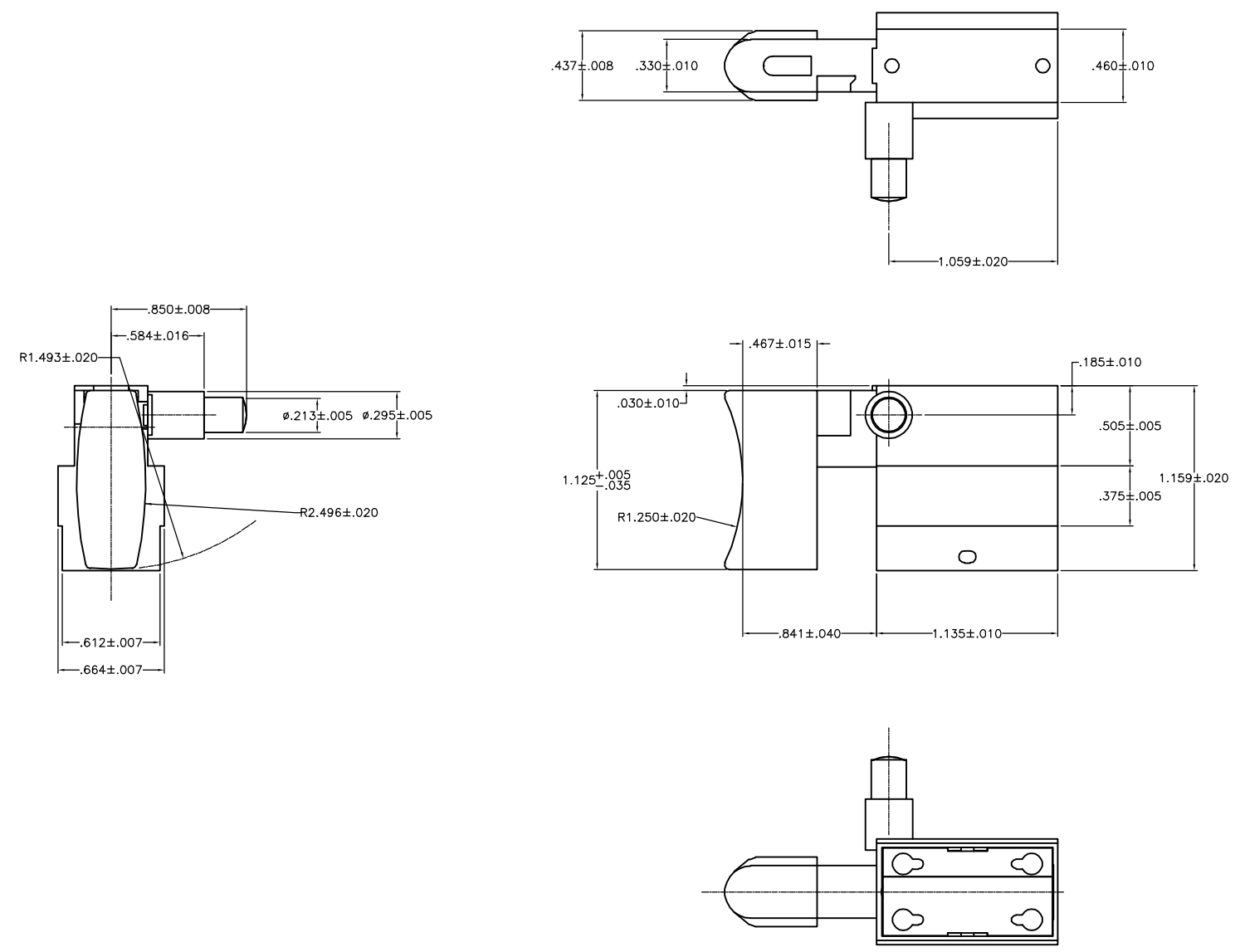
THIS DRAWING IS A CONTROLLED DOCUMENT.		DWN	C. MARDIS	20JUL82	<b>tyco</b> Electronics	Tyco Electronics Corporation Harrisburg, Pa 17105-3608						
DIMENSIONS: INCHES		CHK	K. COLLINS	22JUL82		NAME 8907 SERIES - INLINE SWITCH 4A 125VAC DPST DISCRETE COMPONENT CONSTRUCTION						
TOLERANCES UNLESS OTHERWISE SPECIFIED:		APVD	B. NEWLAND	23SEP82	PRODUCT SPEC							
0 PLC ± -		APPLICATION SPEC		SIZE				CAGE CODE	DRAWING NO	RESTRICTED TO		
1 PLC ± -		-		-				A300779		C-1520076	-	
2 PLC ± -		-		-				CUSTOMER DRAWING		SCALE	1:1	
3 PLC ± .005		-		-				SHEET		5	OF	10
4 PLC ± -		-		-				REV		B		
ANGLES ± 1'		-		-				-				
MATERIAL		FINISH		-				-				

1520076-5	8907K269	RED	RED	OBSOLETE
TYCO NO.	ARAB NO.	TRIGGER COLOR	LOCK PIN COLOR	

THIS DRAWING IS UNPUBLISHED. RELEASED FOR PUBLICATION  
 © COPYRIGHT - BY TYCO ELECTRONICS CORPORATION. ALL RIGHTS RESERVED.

LOC	DIST	REVISIONS			
P	LTR	DESCRIPTION	DATE	DWN	APVD
		SEE SHEET 1	-	-	-

1. PUSH-IN TERMINAL OPENINGS TO RECEIVE #18 OR #20 GA. STRANDED TINNED LEADS. PUSH-IN TERMINAL WIRE STRIPPED LENGTH TO BE .250 - .400.



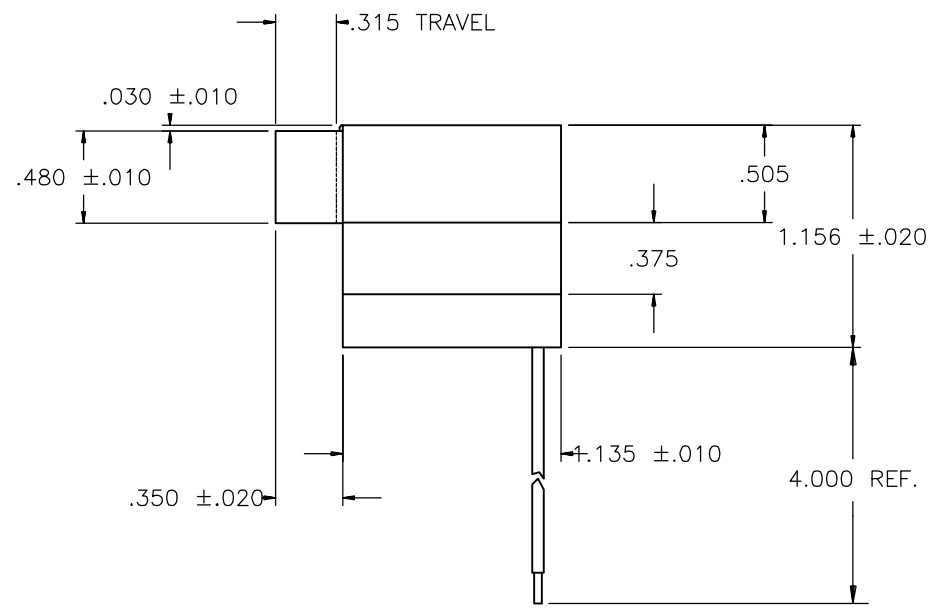
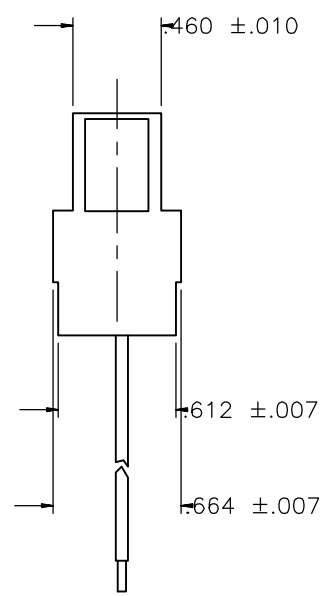
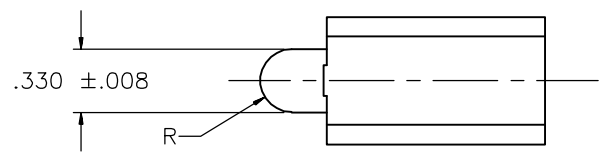
91-889

THIS DRAWING IS A CONTROLLED DOCUMENT.		DWN W. Leonard	08AUG98	Tyco Electronics Corporation Harrisburg, Pa 17105-3608	
DIMENSIONS: INCHES		CHK W. HANSON	14OCT98		
TOLERANCES UNLESS OTHERWISE SPECIFIED:		APVD J. HENDERSON	14OCT98	NAME 8907 SERIES - INLINE SWITCH, 4A 125 VAC DOUBLE POLE SINGLE THROW WITH Z-SPRING CONSTRUCTION	
0 PLC ± - 1 PLC ± - 2 PLC ± - 3 PLC ± .005 4 PLC ± - ANGLES ± 1'		PRODUCT SPEC -		RESTRICTED TO -	
MATERIAL -		FINISH -		SIZE A3	CAGE CODE 00779
		WEIGHT -		DRAWING NO C-1520076	
CUSTOMER DRAWING				SCALE 1:1	SHEET 6 OF 10
				REV B	

1520076-6	8907K270	BLACK	BLACK
TYCO NO.	ARAB NO.	TRIGGER COLOR	LOCK PIN COLOR

THIS DRAWING IS UNPUBLISHED. RELEASED FOR PUBLICATION  
 © COPYRIGHT - BY TYCO ELECTRONICS CORPORATION. ALL RIGHTS RESERVED.

LOC	DIST	REVISIONS			
P	LTR	DESCRIPTION	DATE	DWN	APVD
AD	00	SEE SHEET 1	-	-	-



90-11665

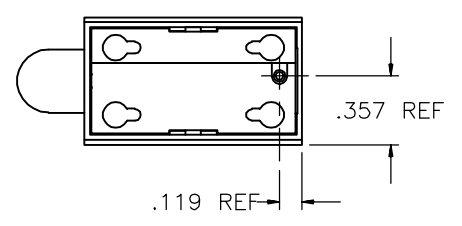
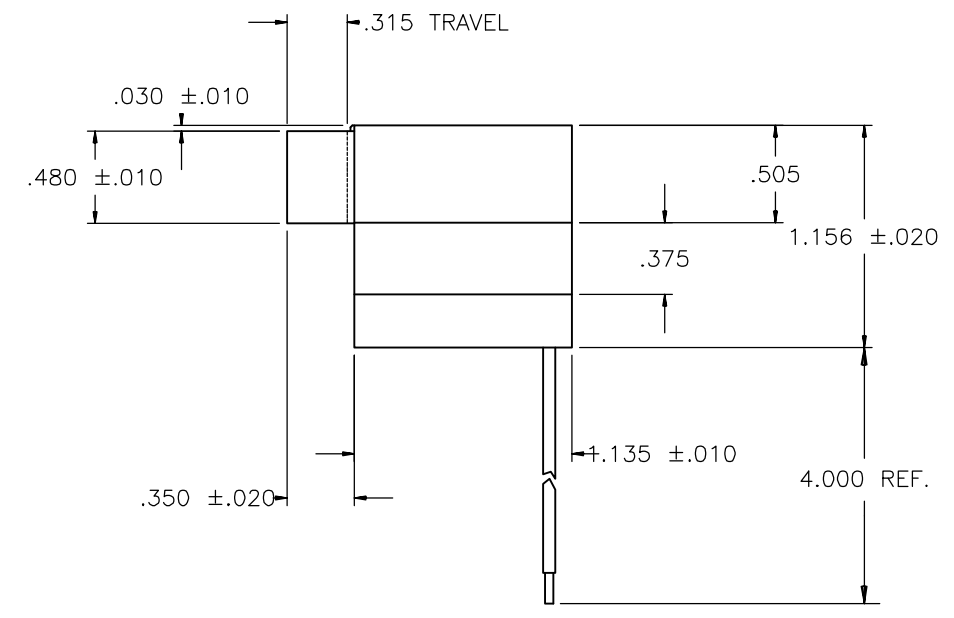
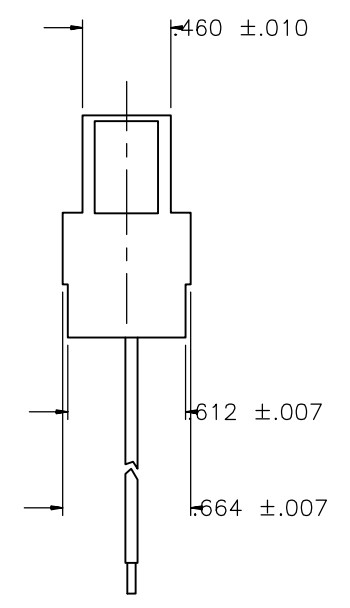
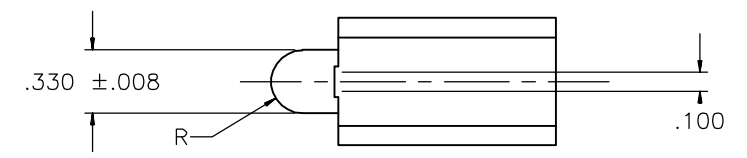
THIS DRAWING IS A CONTROLLED DOCUMENT.		DWN C. MARDIS 16JUN83	Tyco Electronics Corporation Harrisburg, Pa 17105-3608		
DIMENSIONS: INCHES		CHK C. MARDIS 16JUN83	NAME		
		APVD J. SMITH 16JUN83	8907 SERIES - INLINE SWITCH, PEDDLE SWITCH 6A 125 VAC DOUBLE POLE SINGLE THROW WITH DISCRETE COMPONENT CONSTRUCTION		
TOLERANCES UNLESS OTHERWISE SPECIFIED:		PRODUCT SPEC	SIZE		
0 PLC ± -	1 PLC ± -	APPLICATION SPEC	CAGE CODE	DRAWING NO	RESTRICTED TO
2 PLC ± -	3 PLC ± .005	—	A3	00779	C-1520076
4 PLC ± -	ANGLES ± 1'	—	—		
MATERIAL	FINISH	WEIGHT	CUSTOMER DRAWING		
—	—	—	SCALE	SHEET	REV
			1:1	7 OF 10	B

1520076-7	8907K275	BLACK
TYCO NO.	ARAB NO.	TRIGGER COLOR

THIS DRAWING IS UNPUBLISHED. RELEASED FOR PUBLICATION  
 © COPYRIGHT BY TYCO ELECTRONICS CORPORATION. ALL RIGHTS RESERVED.

LOC	DIST	REVISIONS					
AD	00	P	LTR	DESCRIPTION	DATE	DWN	APVD
		-		SEE SHEET 1	-	-	-

- PUSH-IN TERMINAL OPENINGS TO RECEIVE #18 OR #20 GA. STRANDED TINNED LEADS. PUSH-IN TERMINAL WIRE STRIPPED LENGTH TO BE .250 - .400.



91-658

THIS DRAWING IS A CONTROLLED DOCUMENT.		DWN W. Leonard	20MAY96	<b>tyco</b> <b>Electronics</b>	Tyco Electronics Corporation Harrisburg, Pa 17105-3608				
DIMENSIONS: INCHES		CHK W. HANSON	21MAY96		APVD F. CLICK	NAME 8907 SERIES - INLINE SWITCH, PEDDLE SWITCH 6A 125 VAC DPST WITH RFI LEAD, Z-SPRING WITH DISCRETE COMPONENT CONSTRUCTION			
TOLERANCES UNLESS OTHERWISE SPECIFIED:		PRODUCT SPEC		APPLICATION SPEC		SIZE	CAGE CODE	DRAWING NO	RESTRICTED TO
0 PLC ± -		-		-		A300779		C-1520076	-
1 PLC ± -		-		-		-		SCALE	1:1
2 PLC ± -		-		-		-		SHEET	8 OF 10
3 PLC ± .005		-		-		-		REV	B
4 PLC ± -		-		-		-		CUSTOMER DRAWING	
ANGLES ± 1'		-		-		-		-	
FINISH		-		-		-		-	
MATERIAL		-		-		-		-	

1520076-8	8907K278	BLACK
TYCO NO.	ARAB NO.	TRIGGER COLOR



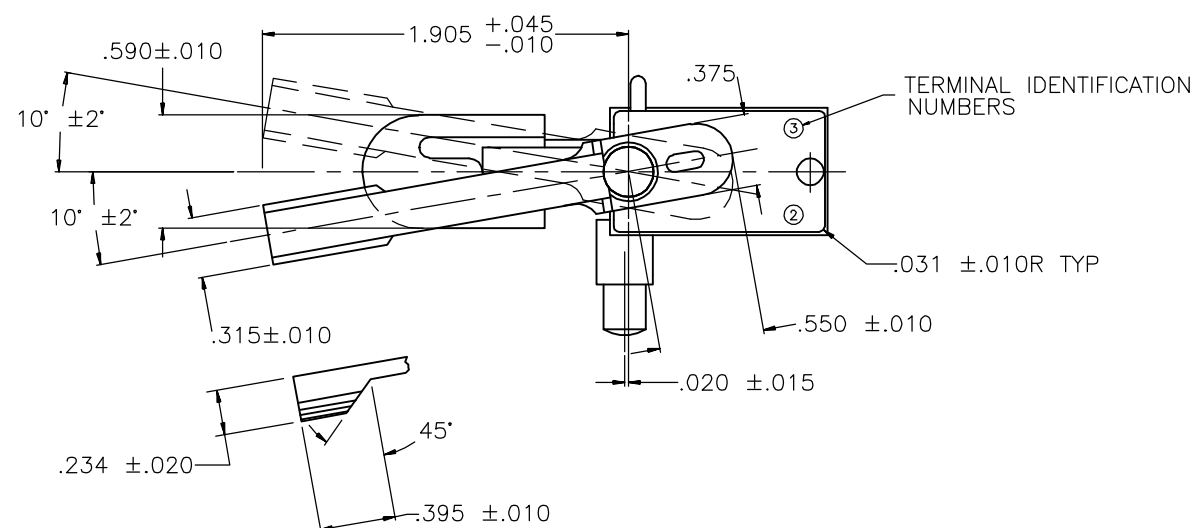
THIS DRAWING IS UNPUBLISHED. RELEASED FOR PUBLICATION

© COPYRIGHT BY TYCO ELECTRONICS CORPORATION. ALL RIGHTS RESERVED.

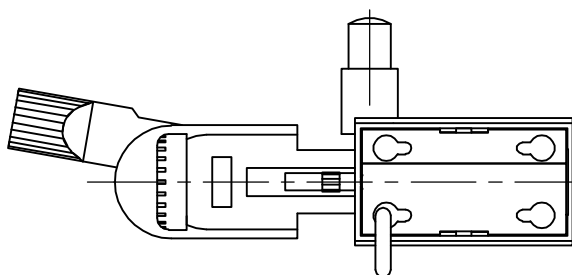
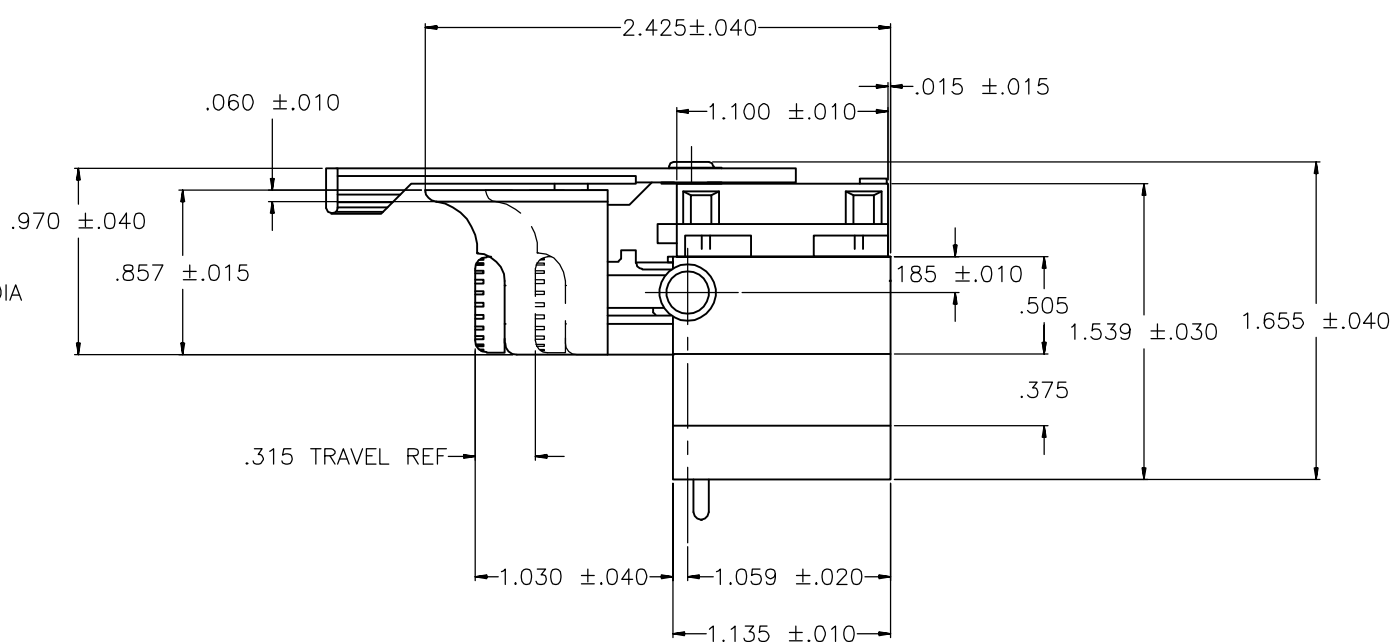
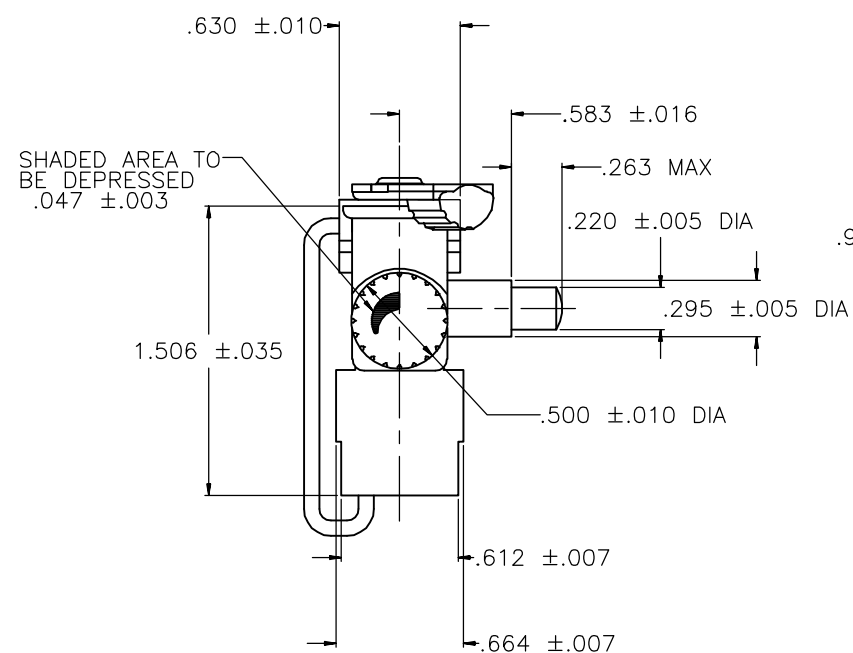
LOC AD DIST 00

REVISIONS

P	LTR	DESCRIPTION	DATE	DWN	APVD
-	-	SEE SHEET 1	-	-	-

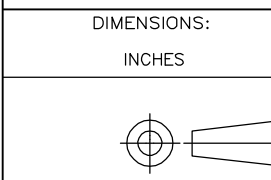


1. PUSH-IN AND REVERSING SWITCH TERMINAL OPENINGS TO RECEIVE #18 OR #20 GA. STRANDED TINNED LEADS. PUSH-IN TERMINAL WIRE STRIPPED LENGTH TO BE .250 - .400. REVERSING SWITCH STRIPPED LENGTH TO BE .188 - .250.



91-869

THIS DRAWING IS A CONTROLLED DOCUMENT.



DIMENSIONS: INCHES	TOLERANCES UNLESS OTHERWISE SPECIFIED:
0 PLC	± -
1 PLC	± -
2 PLC	± -
3 PLC	± .005
4 PLC	± -
ANGLES	± 1'
MATERIAL	FINISH

DWN	W. HANSON	12NOV96
CHK	W. Leonard	12NOV96
APVD	M.R. DUMMER	12NOV96
PRODUCT SPEC	-	
APPLICATION SPEC	-	
WEIGHT	-	

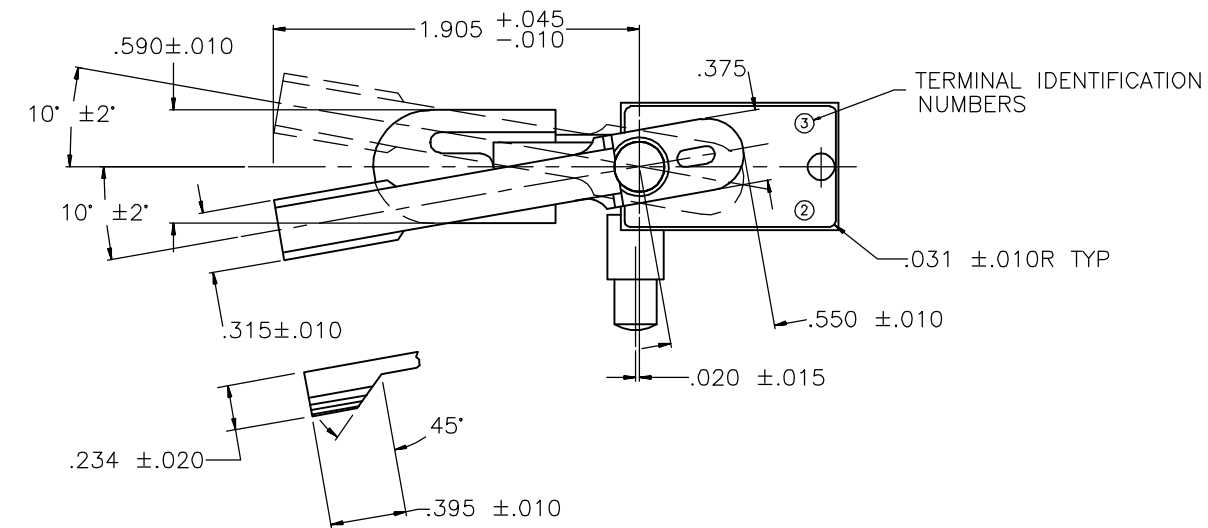
<b>tyco</b> <b>Electronics</b>		Tyco Electronics Corporation Harrisburg, Pa 17105-3608	
NAME 8907 SERIES - INLINE SWITCH 4A 125 VAC SPST WITH BUSSING SPEED CONTROL Z-SPRING / D-PAK CONSTRUCTION			
SIZE	CAGE CODE	DRAWING NO	RESTRICTED TO
A3	00779	C-1520076	-

1-1520076-0	8907K295	BLACK	BLACK	BLACK	BLACK
TYCO NO.	ARAB NO.	TRIGGER COLOR	REVERSING LEVER COLOR	SPEED WHEEL COLOR	LOCK PIN COLOR

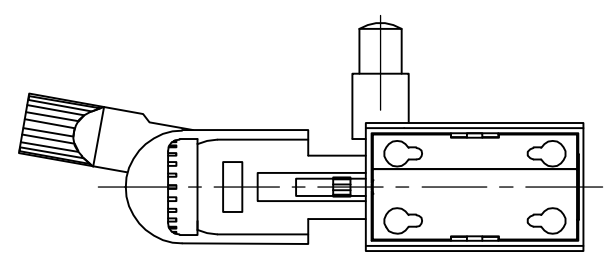
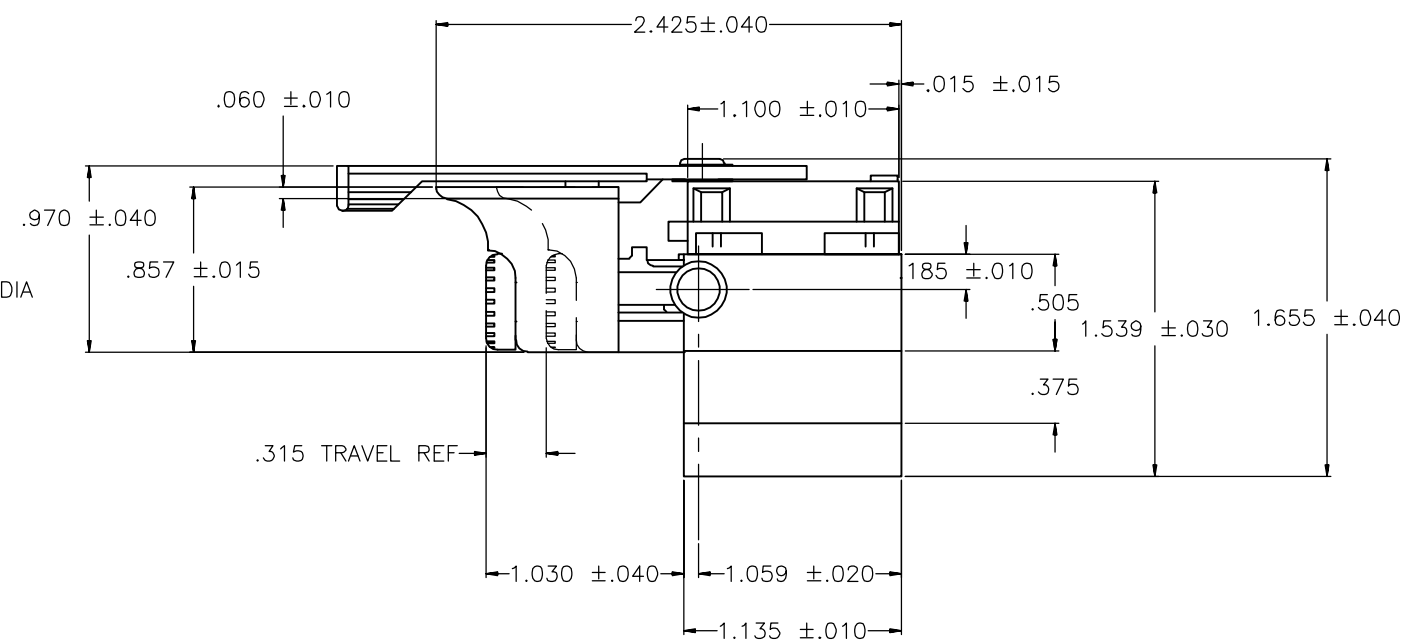
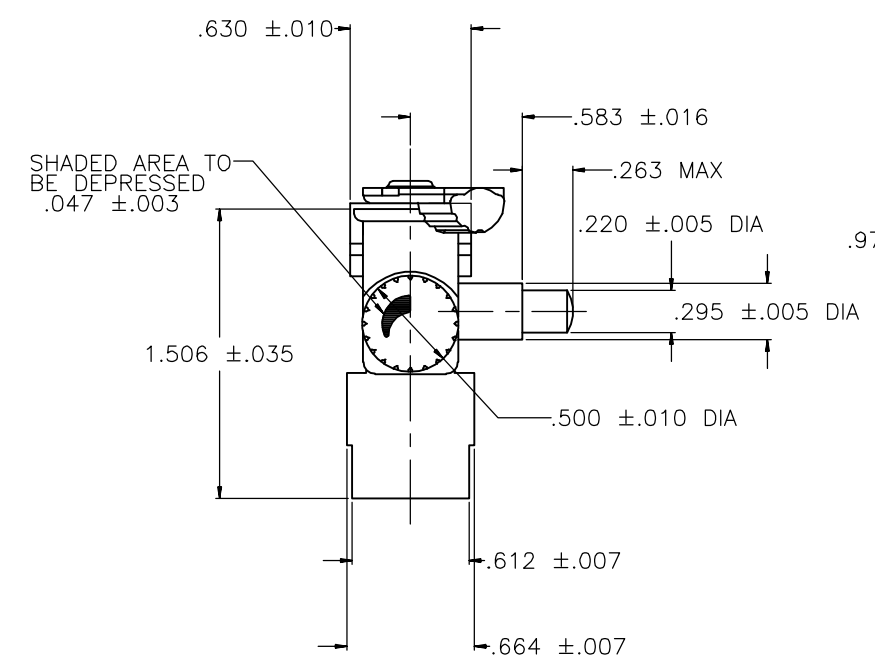
CUSTOMER DRAWING	SCALE 1:1	SHEET 9 OF 10	REV B
------------------	-----------	---------------	-------

THIS DRAWING IS UNPUBLISHED. RELEASED FOR PUBLICATION  
 © COPYRIGHT BY TYCO ELECTRONICS CORPORATION. ALL RIGHTS RESERVED.

LOC	DIST	REVISIONS					
AD	00	P	LTR	DESCRIPTION	DATE	DWN	APVD
				SEE SHEET 1			



- PUSH-IN AND REVERSING SWITCH TERMINAL OPENINGS TO RECEIVE #18 OR #20 GA. STRANDED TINNED LEADS. PUSH-IN TERMINAL WIRE STRIPPED LENGTH TO BE .250 - .400. REVERSING SWITCH STRIPPED LENGTH TO BE .188 - .250.



THIS DRAWING IS A CONTROLLED DOCUMENT.		DWN W. LeonarD 14APR98	Tyco Electronics Corporation Harrisburg, Pa 17105-3608	
DIMENSIONS: INCHES		CHK W. LeonarD	NAME	
		APVD W. HANSON	8907 SERIES - INLINE SWITCH	
TOLERANCES UNLESS OTHERWISE SPECIFIED:		PRODUCT SPEC	6A 125 VAC SPST WITH BUSSING SPEED CONTROL	
0 PLC ± -		APPLICATION SPEC	Z-SPRING WITH DISCRETE COMPONENT CONSTRUCTION	
1 PLC ± -		SIZE	CAGE CODE	DRAWING NO
2 PLC ± -		A300779		RESTRICTED TO
3 PLC ± .005		C-1520076		
4 PLC ± -		CUSTOMER DRAWING		
ANGLES ± 1'		SCALE 1:1 SHEET 10 OF 10 REV B		
MATERIAL		WEIGHT -		
FINISH				

1520076-9	8907K292	BLACK	BLACK	BLACK	RED
TYCO NO.	ARAB NO.	TRIGGER COLOR	REVERSING LEVER COLOR	SPEED WHEEL COLOR	LOCK PIN COLOR